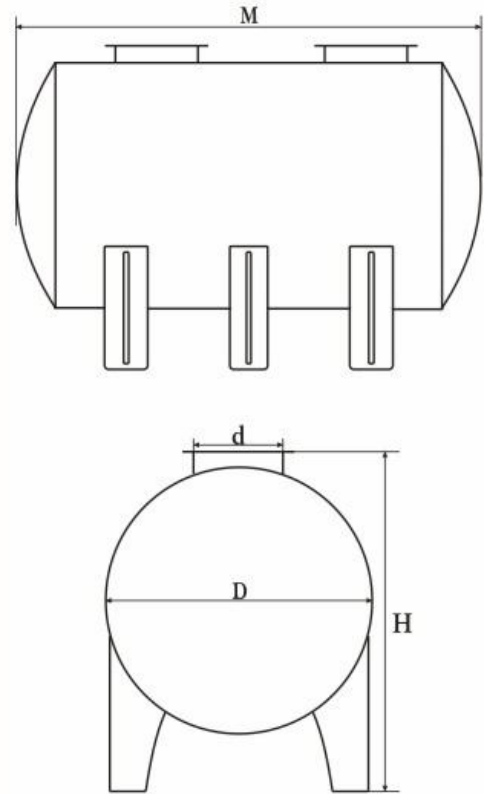




## C.T.P YATAY AYAKLI STOKLAMA TANKI EBATLARI

TONAJ	D	M	H	d
5.000 LT	1800 mm	2450 mm	2600 mm	500 mm
10.000 LT	2100 mm	3200 mm	2900 mm	800 mm
15.000 LT	2200 mm	4200 mm	3000 mm	700 mm
20.000 LT	3000 mm	3500 mm	3800 mm	800 mm
25.000 LT	3000 mm	4300 mm	3800 mm	800 mm
30.000 LT	3000 mm	4900 mm	3800 mm	800 mm
35.000 LT	3000 mm	5600 mm	3800 mm	800 mm
40.000 LT	3000 mm	6300 mm	3800 mm	800 mm
50.000 LT	3000 mm	7800 mm	3800 mm	800 mm
60.000 LT	3000 mm	9200 mm	3800 mm	800 mm
70.000 LT	3000 mm	10600 mm	3800 mm	800 mm
80.000 LT	3000 mm	11200 mm	3800 mm	800 mm
90.000 LT	3000 mm	13400 mm	3800 mm	800 mm
100.000 LT	3000 mm	14800 mm	3800 mm	800 mm
110.000 LT	3000 mm	16200 mm	3800 mm	800 mm
120.000 LT	3000 mm	17700 mm	3800 mm	800 mm

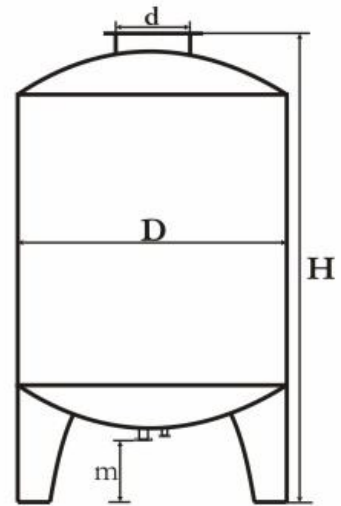


OKSİDASYON TANKLARINDA BULUNAN AKSESUARLAR  
SU HAZNESİ, HAVA BORUSU, 2" ÇIKIŞ, 4" ÇIKIŞ,



## C.T.P AYAKLI STOKLAMA TANKI EBATLARI

TONAJ	D	H	d	m
2.500 LT	1200 mm	2800 mm	800 mm	600 mm
5.000 LT	2000 mm	2850 mm	800 mm	600 mm
10.000 LT	2100 mm	3950 mm	800 mm	600 mm
15.000 LT	2500 mm	4250 mm	800 mm	600 mm
20.000 LT	3000 mm	4150 mm	800 mm	600 mm
25.000 LT	3000 mm	4950 mm	800 mm	600 mm
30.000 LT	3000 mm	5550 mm	800 mm	600 mm
35.000 LT	3000 mm	6250 mm	800 mm	600 mm
40.000 LT	3000 mm	6950 mm	800 mm	600 mm





## C.T.P YERÜSTÜ STOKLAMA TANKI EBATLARI

TONAJ	D	H	d
1.300 LT	1200 mm	1600 mm	500 mm
2.500 LT	1500 mm	1850 mm	800 mm
	1250 mm	1800 mm	800 mm
4.000 LT	1700 mm	1950 mm	800 mm
5.000 LT	1850 mm	2350 mm	800 mm
8.000 LT	2200 mm	2450 mm	800 mm
10.000 LT	2300 mm	2750 mm	800 mm
11.000 LT	2300 mm	2700 mm	800 mm
15.000 LT	2500 mm	3250 mm	800 mm
	3000 mm	2450 mm	800 mm
20.000 LT	3000 mm	3250 mm	800 mm
25.000 LT	3000 mm	4050 mm	800 mm
30.000 LT	3000 mm	4650 mm	800 mm
40.000 LT	3000 mm	6150 mm	800 mm
50.000 LT	3000 mm	7550 mm	800 mm
60.000 LT	3000 mm	8950 mm	800 mm
70.000 LT	3000 mm	10350 mm	800 mm
80.000 LT	3000 mm	11750 mm	800 mm

